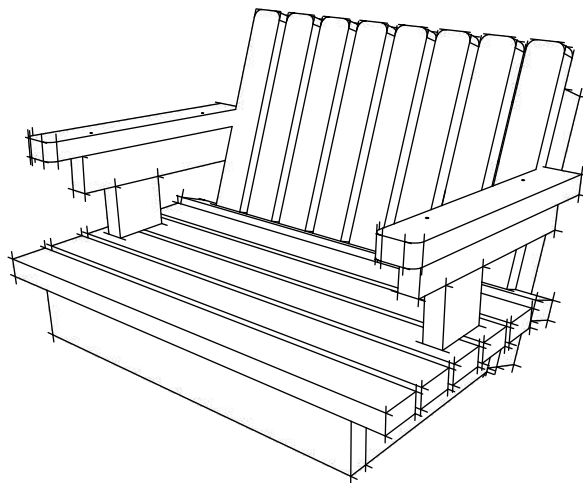


## **Squirrel Feeder Swing**



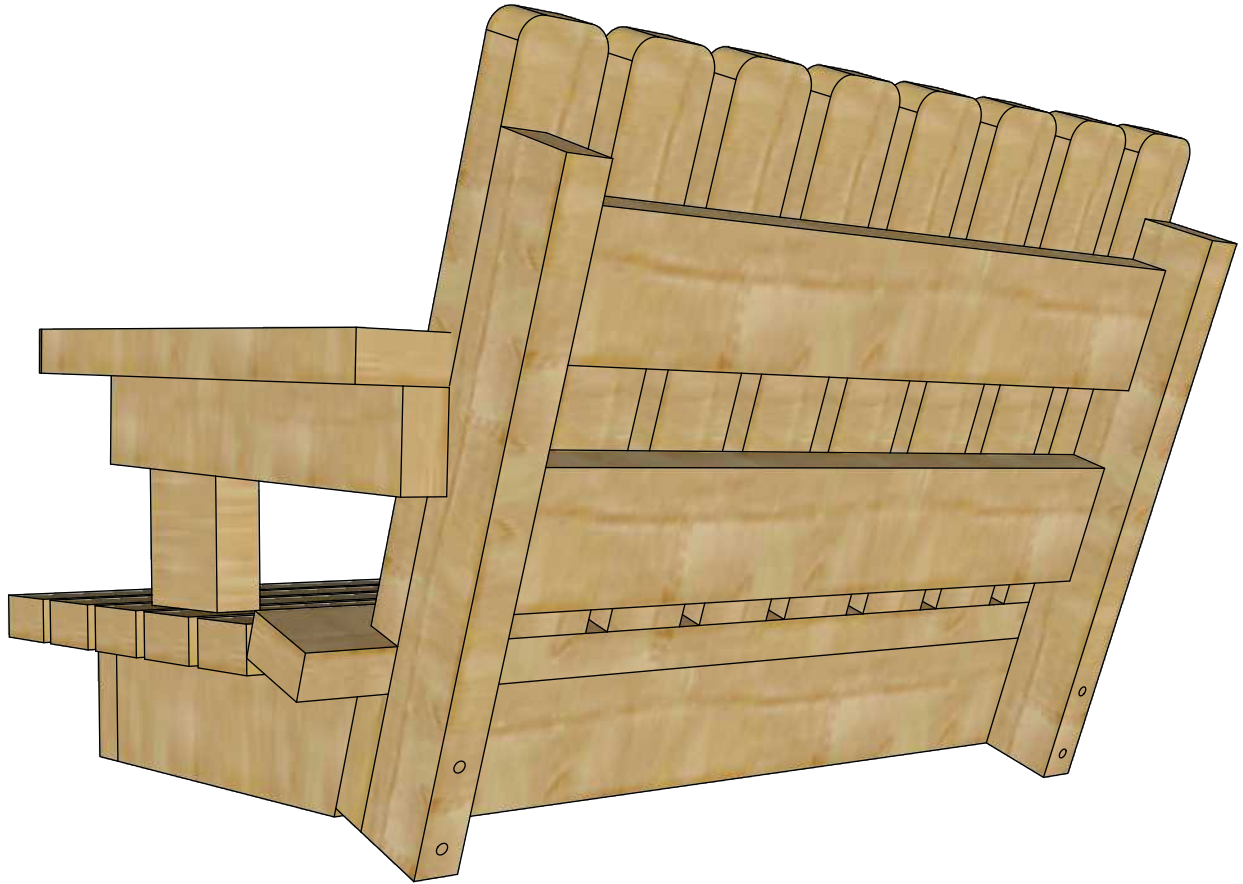
<https://www.youtube.com/c/MatthewPeechWoodworkingAndDIY>

**Perspective**



<https://www.youtube.com/c/MatthewPeechWoodworkingAndDIY>

# Perspective

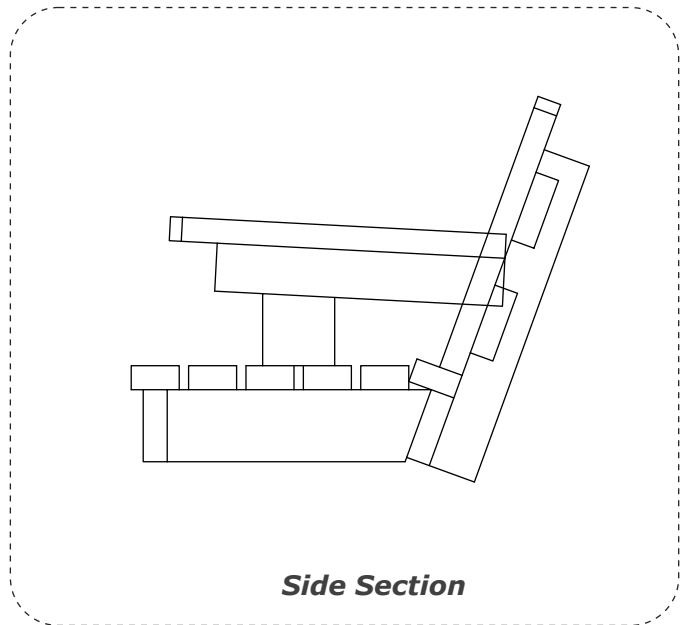


<https://www.youtube.com/c/MatthewPeechWoodworkingAndDIY>



SCAN THIS CODE  
TO GO TO THE  
YOUTUBE CHANEL

# X-Ray

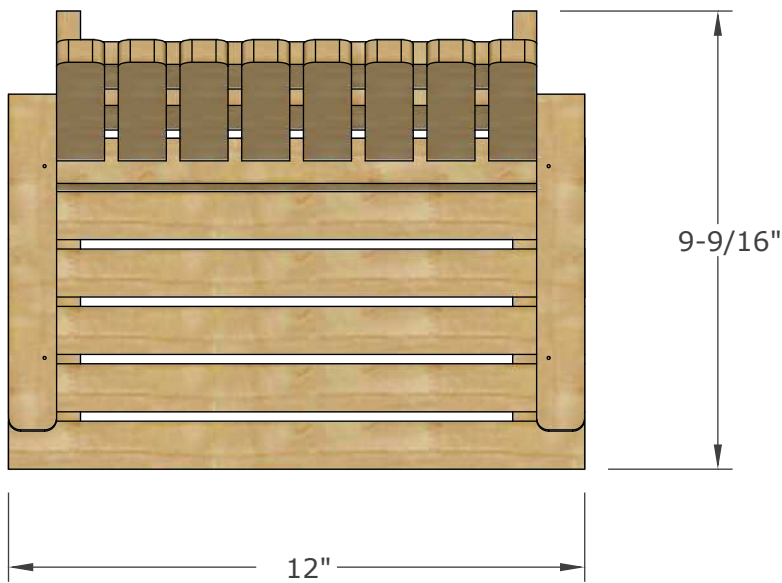
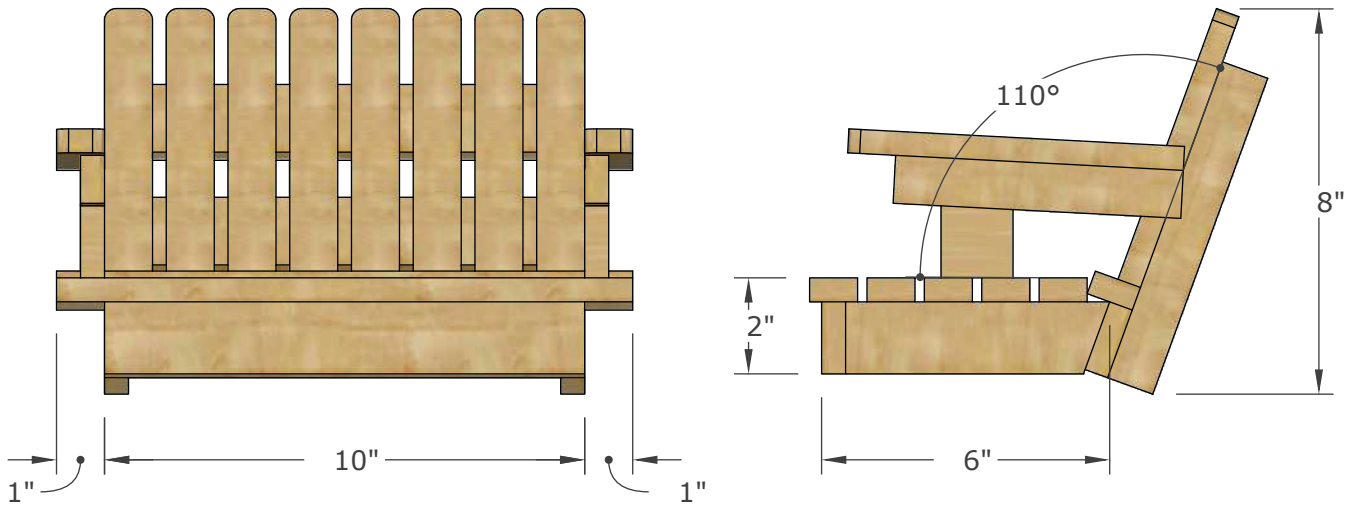


**Side Section**



<https://www.youtube.com/c/MatthewPeechWoodworkingAndDIY>

# Overall Dimensions

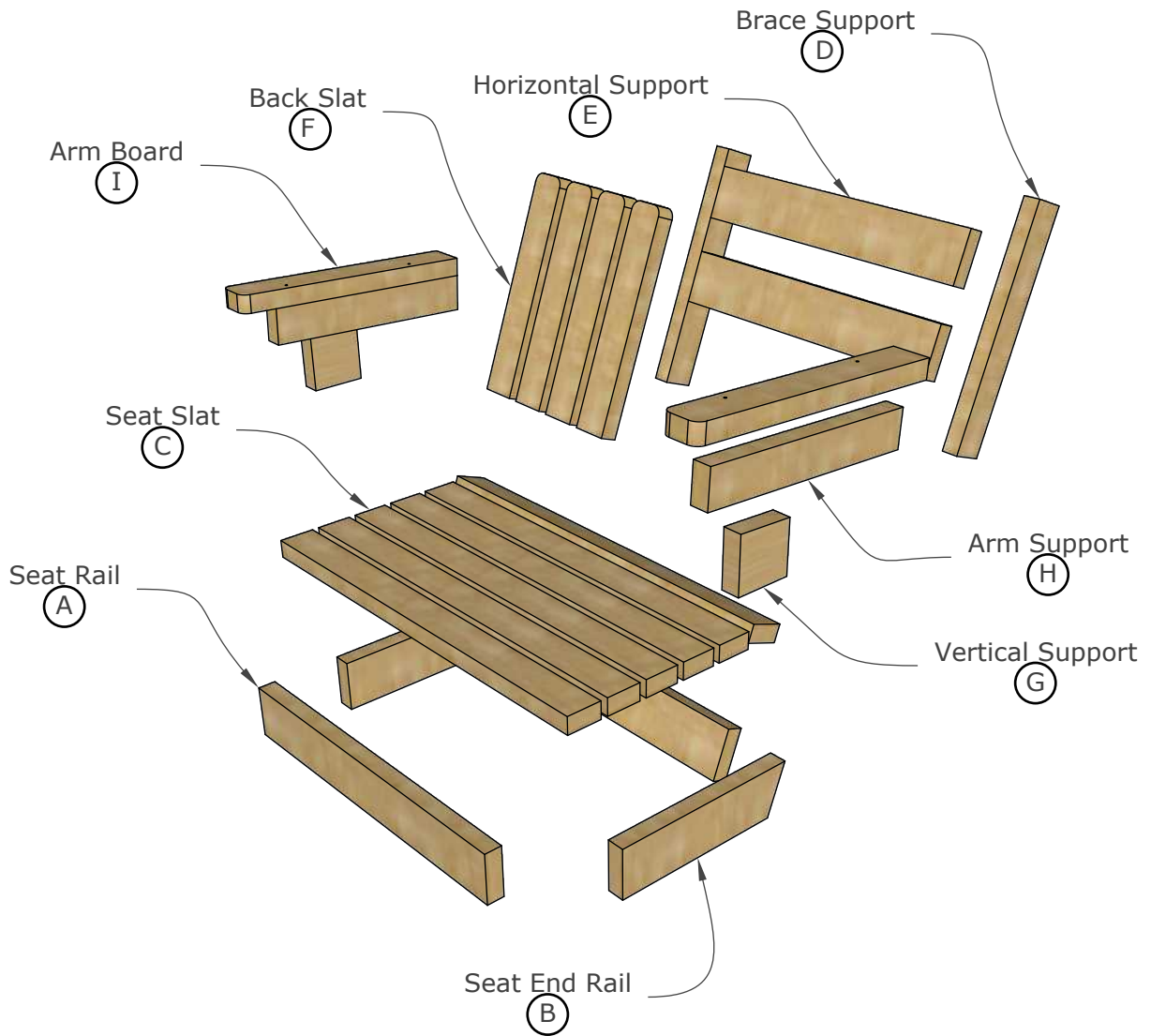


## Front-Side & Top Views

3" = 1'-0" (1:4)

<https://www.youtube.com/c/MatthewPeechWoodworkingAndDIY>

# Exploded View



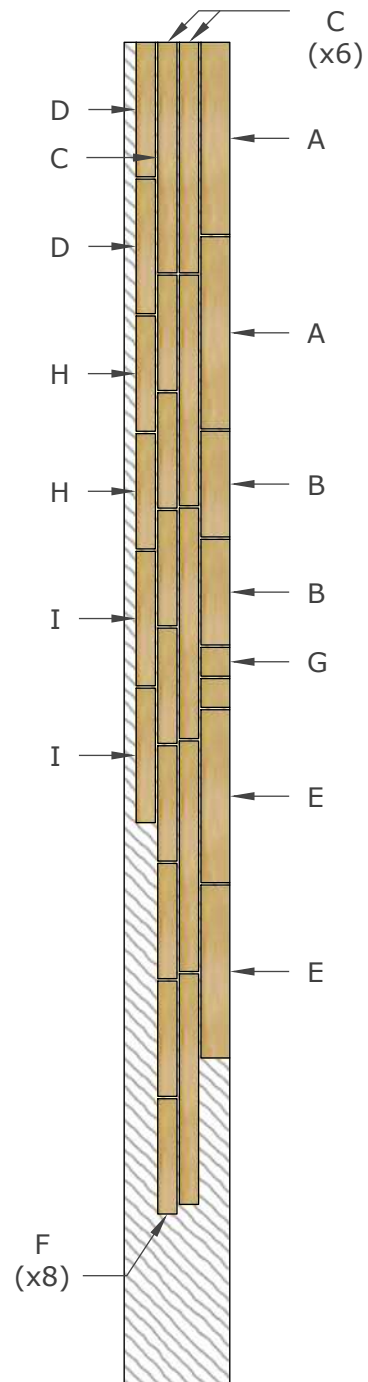
<https://www.youtube.com/c/MatthewPeechWoodworkingAndDIY>

## Cutting List

Part	Designation	Quantity	Length	Width	Thickness
A	Seat Rail	2	10"	1 1/2"	1/2"
B	Seat End Rail	2	5 1/2"	1 1/2"	1/2"
C	Seat Slat	6	12"	1"	1/2"
D	Brace Support	2	7"	1"	1/2"
E	Horizontal Support	2	9"	1 1/2"	1/2"
F	Back Slat	8	6"	1"	1/2"
G	Vertical Support	2	1 1/2"	1 1/2"	1/2"
H	Arm Support	2	6"	1"	1/2"
I	Arm Board	2	7"	1"	1/2"

### Cutting Layout

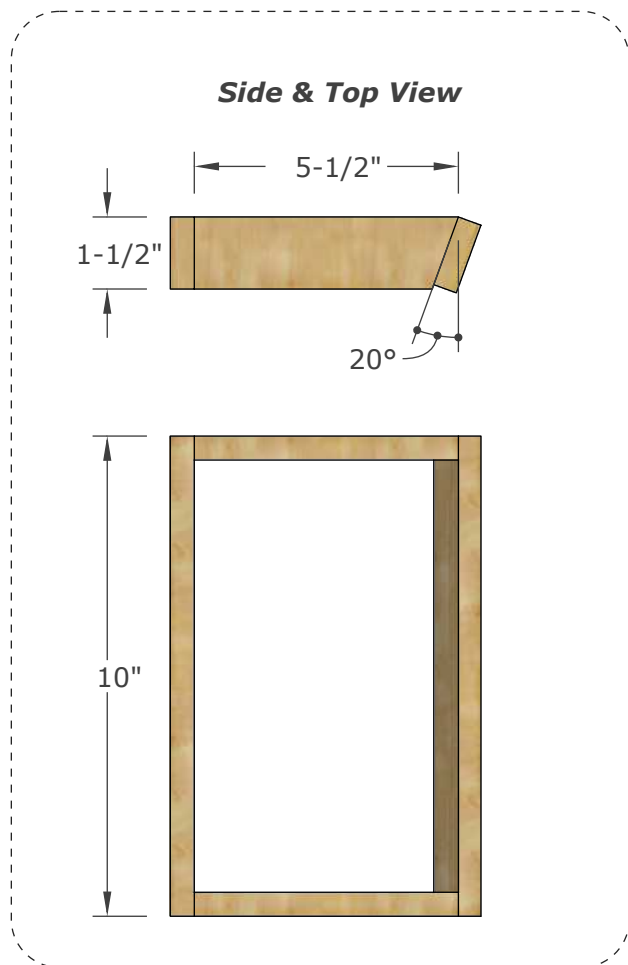
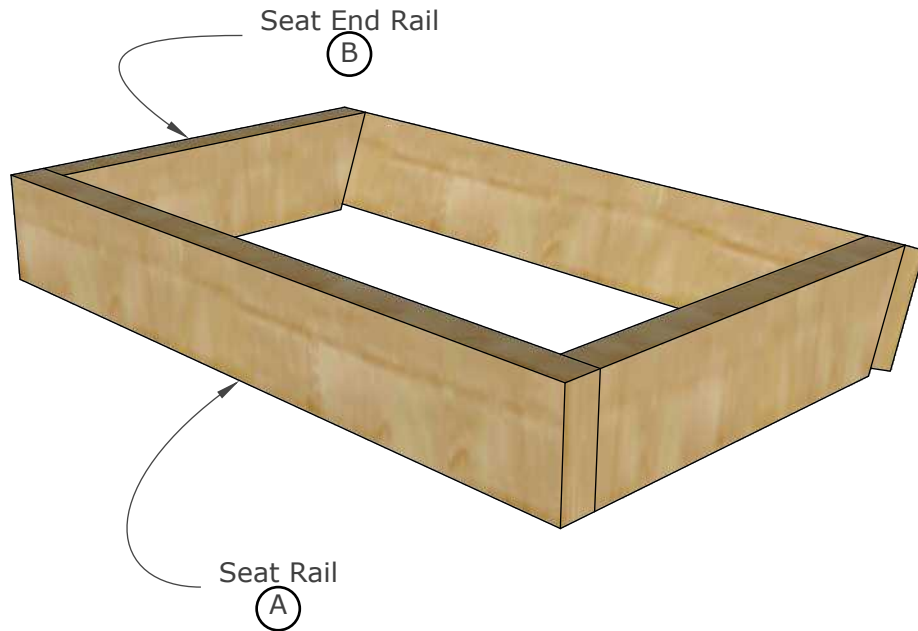
*Material used*  
 (1) 1/2"x 5 1/2" x 72"



<https://www.youtube.com/c/MatthewPeechWoodworkingAndDIY>

# 1 Seat Base:

Start by cutting a 20° angle on one end of the seat end rails. Then assemble as shown.

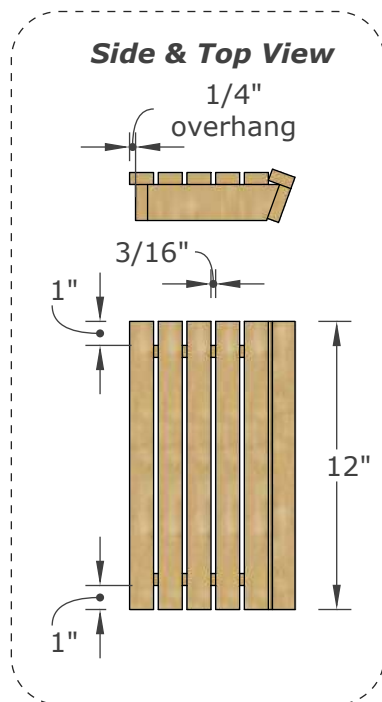
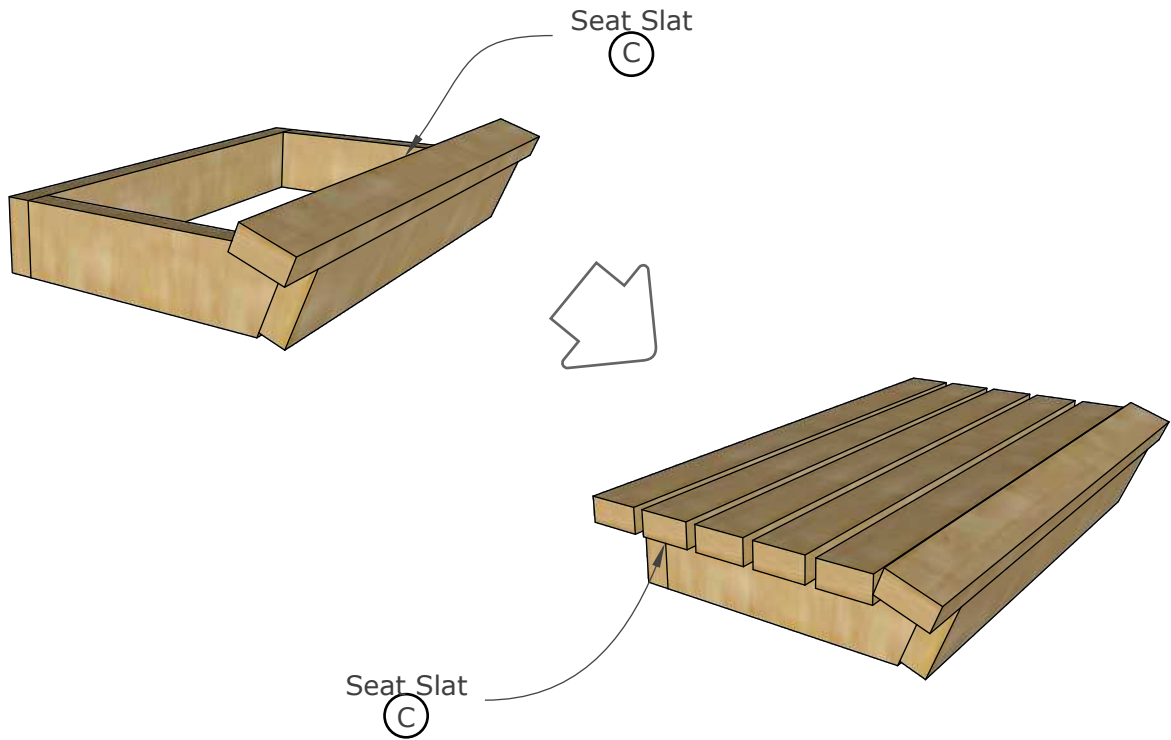


<https://www.youtube.com/c/MatthewPeechWoodworkingAndDIY>

2

## Install Seat Slats:

Start by installing the first one on the back angle. Then install the front slat. Install remaining slats equally spaced using 1" brad nails and exterior wood glue.

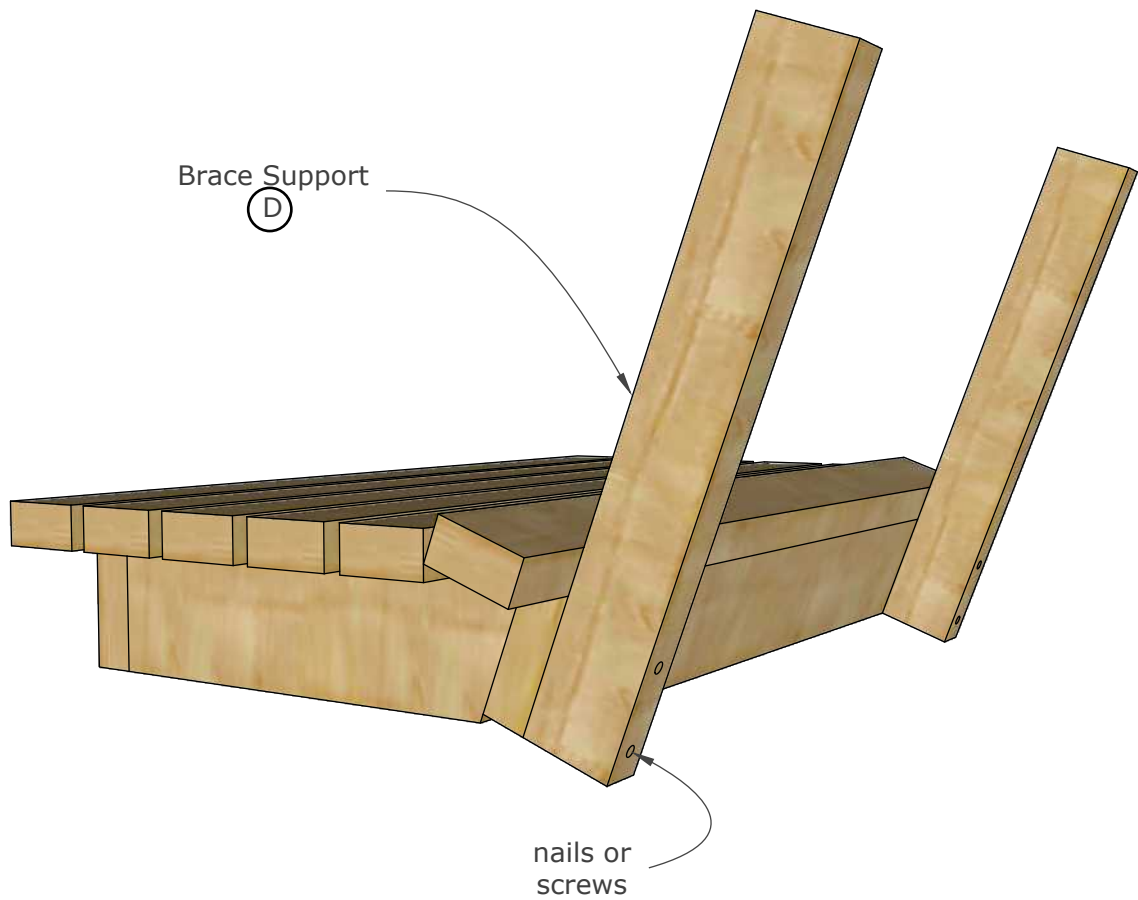


<https://www.youtube.com/c/MatthewPeechWoodworkingAndDIY>

3

### Install Back Brace Supports:

*Install flush with the end of the back base angled board. Use wood glue and 1 1/2" brad nails or screws.*



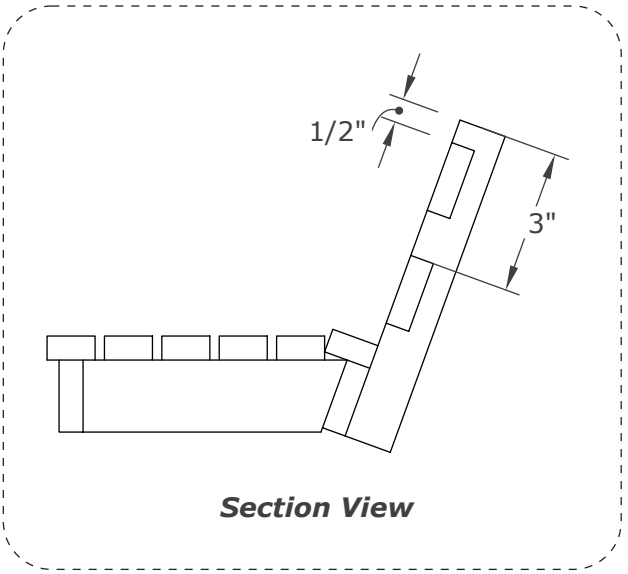
<https://www.youtube.com/c/MatthewPeechWoodworkingAndDIY>

4

### Install Back Horizontal Supports:

Use exterior wood glue and 1 1/2" brad nails or screws.

Horizontal Support  
E



Section View



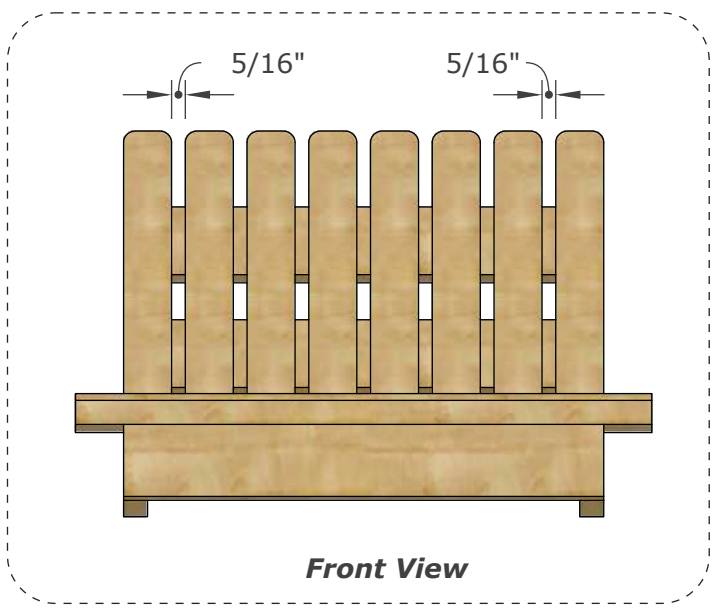
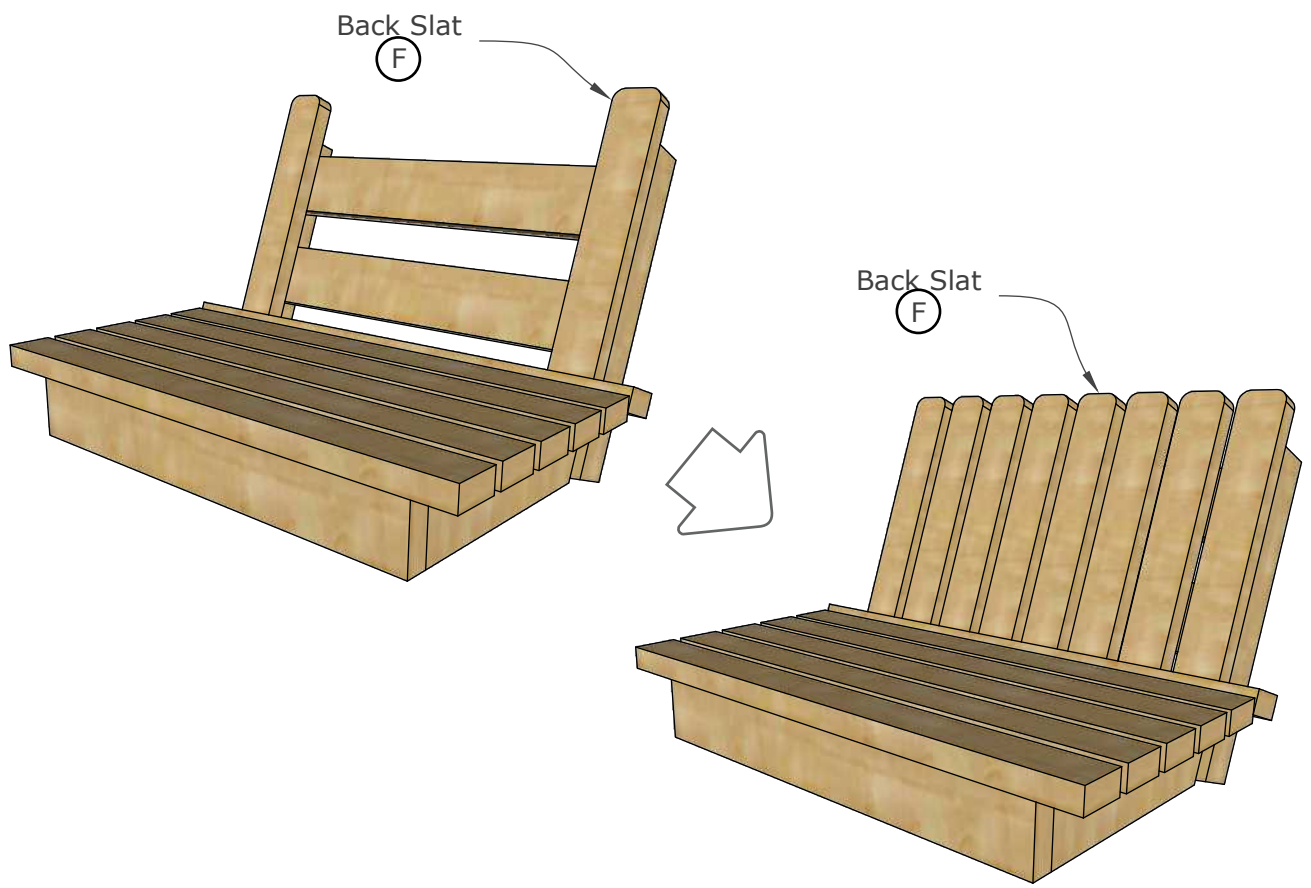
<https://www.youtube.com/c/MatthewPeechWoodworkingAndDIY>

5

### Install Back Slats:

Use 1" brad nails and exterior wood glue.

Install the two outer slats flush with support. Then install remaining slats with equal spacing.



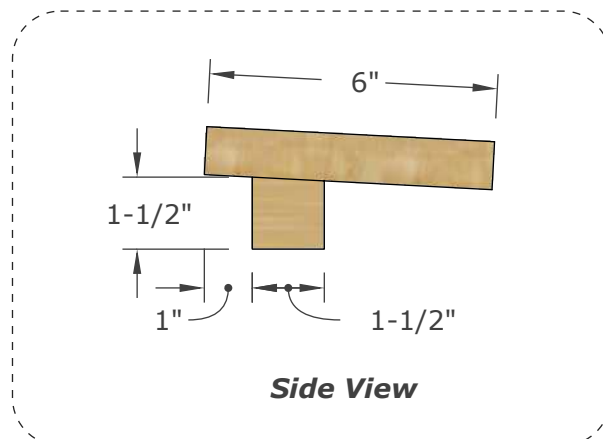
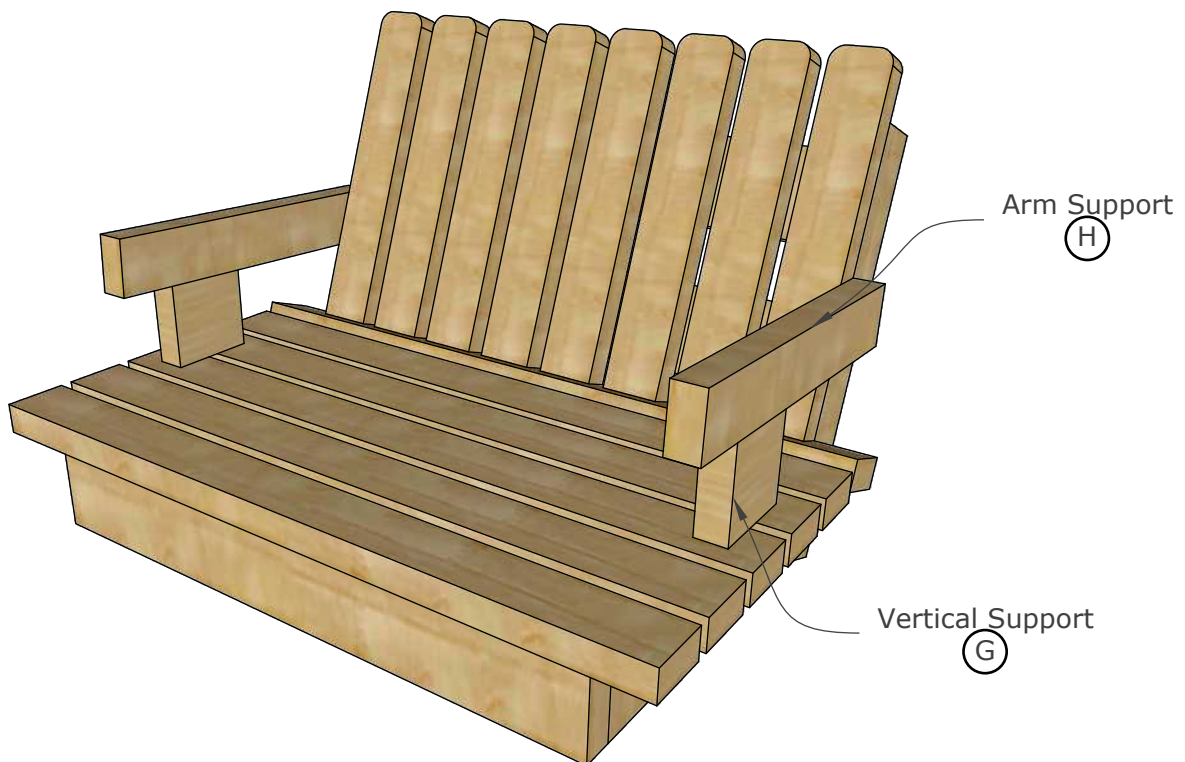
<https://www.youtube.com/c/MatthewPeechWoodworkingAndDIY>

6

## Assemble Arm Supports:

Attach 1" x 6" horizontal support to a 1 1/2" x 1 1/2" (tip to tip) vertical support using 1 1/2" brad nails and glue.

After arm supports are assembled, attach to the bottom slats from underneath using EWG and 1" brad nails or screws

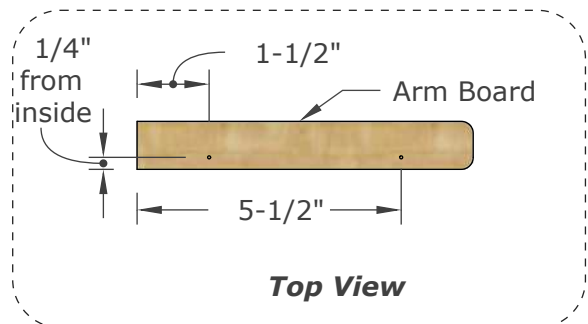


<https://www.youtube.com/c/MatthewPeechWoodworkingAndDIY>

7

## Insert Eye Hooks and Chain:

Pre-drill holes for eye hooks and install. Use #16 chain to create a loop on each side. Attach hanging chain to center of the loop and cut to desired length.

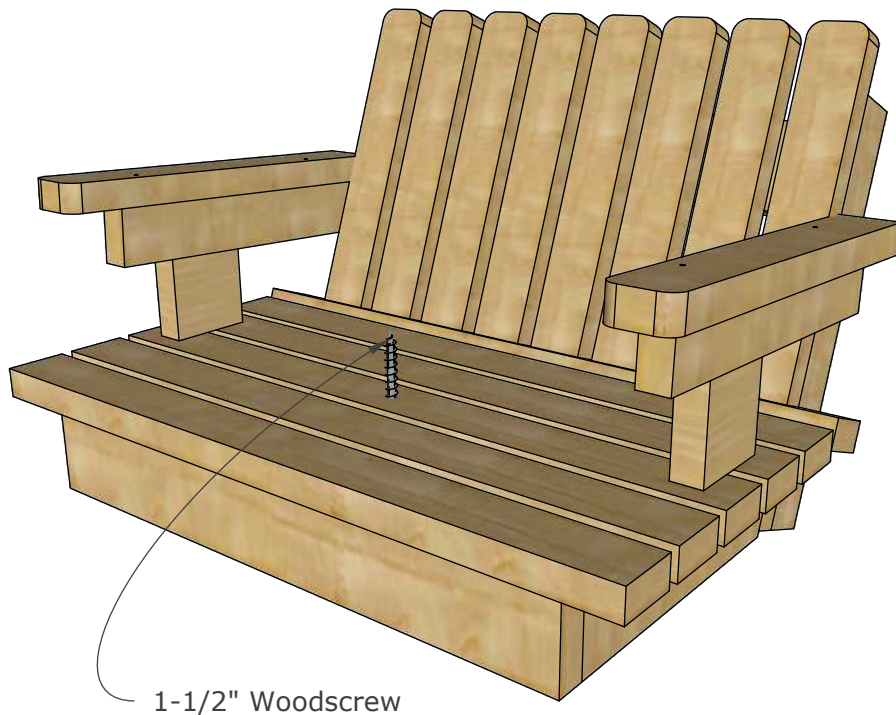


<https://www.youtube.com/c/MatthewPeechWoodworkingAndDIY>

8

## Corn Cob:

*Add wood screw to center if desired for corn cob.*



1-1/2" Woodscrew



<https://www.youtube.com/c/MatthewPeechWoodworkingAndDIY>